

The **MLS1522** is a long life, low noise linear potentiometer, designed with a twin element conductive track for high performance, under severe vibration and shock conditions.

Available in measurement ranges between 75mm to 500mm (3" to 20"), it is constructed from an extremely robust Ø15.0mm aluminium case. It is assembled with a Ø6.0mm stainless steel shaft and two aluminium rod ends, which are fitted with steel balls for self-alignment during operation. This is a sensor with exceptional strength and durability for the harshest of environments.

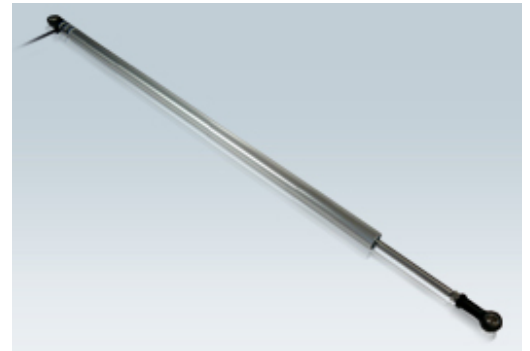
Manufactured to exacting quality standards, the twin element track offers superior low noise output, linearity and repeatability, this long stroke sensor is suitable for both general industrial monitoring and automotive applications.

For total system integrity, they are fitted with fire and chemical resistant, high temperature, TPS125XL sleeved 24AWG signal cabling.

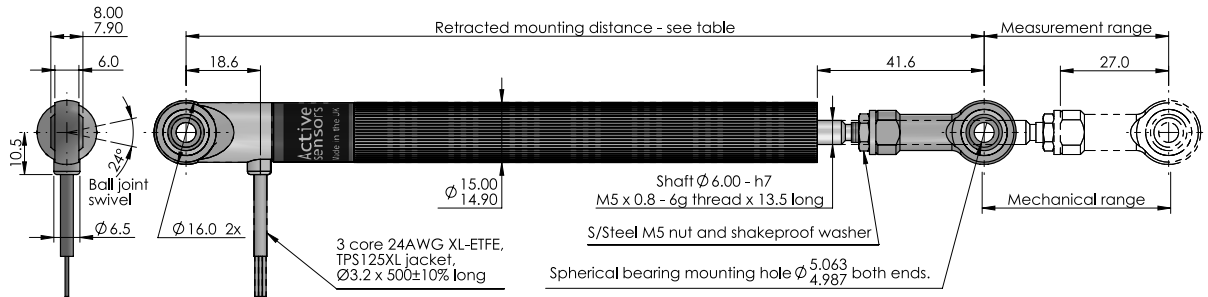
They are designed to operate to a maximum temperature of 125°C (257°F) and are environmentally protected against the ingress of dust and water to IP66.

Key features and benefits

- Low noise twin element conductive track
- Measurement range 75 mm up to 500mm (3" to 20").
- ± 0.15 %FS non-linearity
- Ø15.0mm robust aluminium case with Ø6.0mm stainless steel shaft
- Fitted with Ø5.0mm rod ends
- Maximum operating temperature 125°C (257°F)
- Sealed to IP66
- 3 core 24AWG XL-ETFE TPS125XL cabling
- Models available from stock
- Customs designs available on request



MLS1522 – Rod end mounting



Ordering information

MLS1522-1-XXX

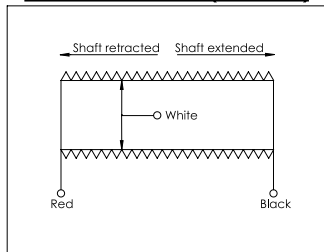
Measurement range in mm

Measurement range (± 0.5 mm)	75	100	125	150	175	200	225	250	275	300	325	350	400	500	mm	
Retracted mounting distance	199	224	249	274	299	324	349	374	399	424	449	474	524	624	mm	
Resistance (typical)	1.5	2.0	2.5	3.0	3.5	4.0	4.5	5.0	5.5	6.0	6.5	7.0	8.0	10.0	Kohms	
Non-linearity	$< \pm 0.15$														%FS	
Applied voltage	<66	<88	<110								<130					VDC
Wiper load				>500						>550	>600	>650	>700	>800	>1000	Kohms
Mechanical range (± 0.5 mm)	Measurement Range +2														mm	
Shaft velocity	< 10														m/s	
Insulation resistance (at 500V DC.)	> 100														Mohms	
Operating temperature range	-30 to +125														$^{\circ}$ C	
Sealing	IP66															
Shaft operation force (typical)	200														grams	
Weight. (approx.)	108	118	128	138	148	158	168	178	188	198	208	218	238	278	grams	
Materials	Case - Anodised aluminium 6063 T5 Shaft - Stainless steel 303 Rod Ends - Body: Anodised aluminium 6026 Spherical Ball: Nickel plated steel															

Notes:

1. MLS sensors should be used as voltage dividers only.
2. Incorrect wiring may cause internal damage to the sensor.
3. General dimension tolerance is ± 0.25 mm.

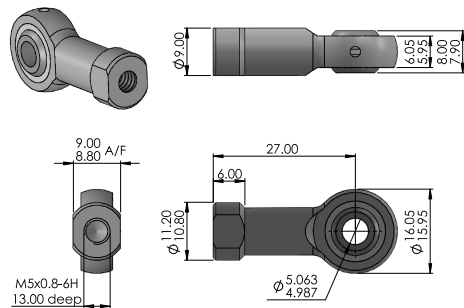
Electrical connections (see note 2)



Accessories

5mm rod end

Part No: PT1522-104-19



Material:

Housing - Aluminium Alloy, anodised black
Ball - Steel BS970 230M07, electroless nickel plated
Race - Gr nylon

