



CLS1900 medium stroke range

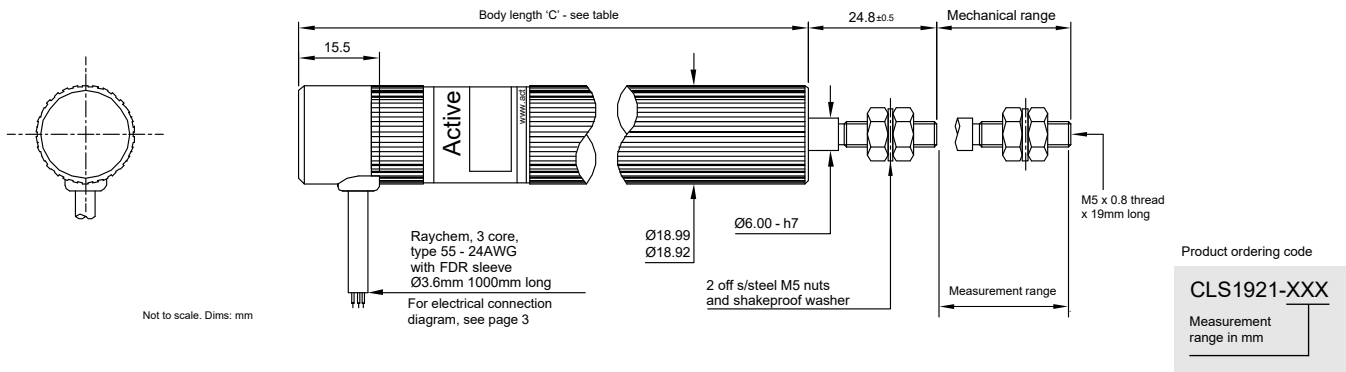


- Measurement range: 25mm to 500mm (20")
- Robust 19mm Ø compact design
- 6.0mm dia. operating shaft
- Sealed as standard
- Raychem cabling
- Choice of mounting
- Very long operational life
- Models available from stock

The robust, general-purpose medium stroke CLS1920 sensor is used extensively in industrial monitoring and process control applications. They are also used in racing car and off road vehicles for monitoring suspension movement and steering angles. The housing is manufactured from aluminium alloy and the operating shaft is stainless steel. The spherical mounting bearings and body clamps are machined from aluminium alloy for strength and durability.

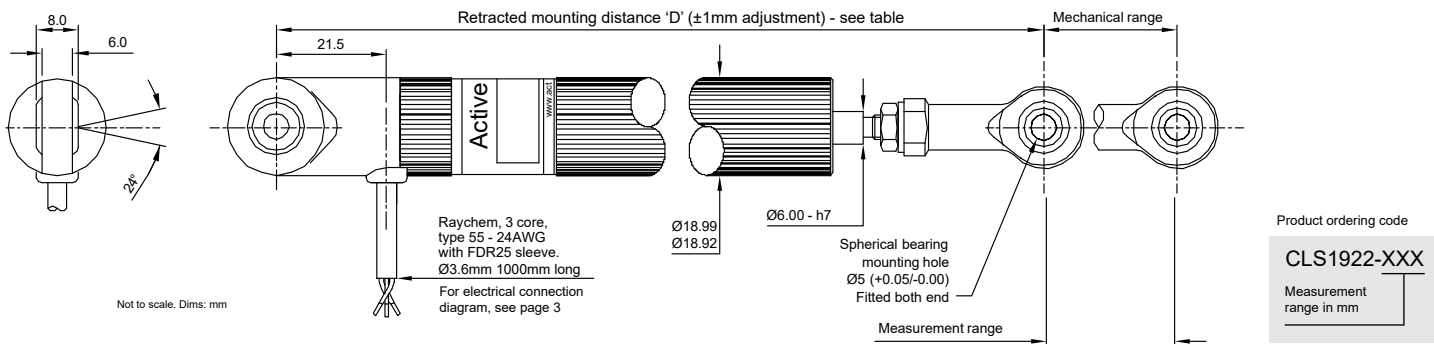
Model dimensions and mounting

CLS1921 - body clamp mounting (measurement range up to 500mm)



For mounting accessories, see page 3

CLS1922 - rod-end mounting (measurement range up to 350mm)



For mounting accessories, see page 3

Electrical & mechanical information for CLS1900 range

Measurement range (± 0.5 mm)	25	50	75	100	125	150	175	200	225	250	275	300	325	350	400	500	mm	
Retracted mounting distance (D)	-	-	199	224	249	274	299	324	349	374	399	424	449	474	-	-	mm	
Body length (C)	98	123	148	173	198	223	248	273	298	323	348	378	403	428	478	578	mm	
Resistance (Typical)	1	2	3	4	5	6	7	8	9	10	11	12	13	14	16	20	kohms	
Non-linearity	< ± 0.25			< ± 0.15													%	
Applied voltage	<22	<45	<65	<90	<110	<130	<130	<130	<130	<130	<130	<130	<130	<130	<130	<130	Volts	
Wiper load	>500	>500	>500	>500	>500	>600	>700	>800	>900	>1000	>1100	>1200	>1300	>1400	>1600	>2000	kohms	
Mechanical range	Measurement range +1																	mm
Shaft velocity	<10																	m/sec
Insulation resistance (at 500V dc.)	>100																	Mohms
Operating temp. range	-30° to +100°																	°C
Sealing	IP66																	
Shaft operating force	200 (typical)																	grams
Weight (approx.)	79	91	109	139	154	170	184	205	220	233	254	275	301	322	369	463	grams	
Materials	Case - Aluminium 6063 - Sulphuric acid anodised Shaft - Stainless steel - 303 series Rod end bearing - Aluminium 6262 housing & BS970 230M07, electroless nickel plate																	

Contact details

Europe

Active Sensors Ltd
Unit 12, Wilverley Road
Christchurch, Dorset
BH23 3RU
UK



Tel +44 (0)1202 480620
Fax +44 (0)1202 480664

North America

Active Sensors Inc.
8520 Allison Pointe Blvd Suite 220
Indianapolis
IN 46250
USA



Tel + 317 713 2973
Fax + 317 713 2950

sales@activesensors.com

Additional product information

The information contained in this data sheet on product applications should be used by customers for guidance only. Active Sensors makes no warranty or representation in respect of product fitness or suitability for any particular design application, environment or otherwise except as may subsequently be agreed in the contract for the sale and purchase of products. Additionally, Active Sensors gives no guarantee or warranty for its products in critical control applications, typically in life support systems and the aviation and nuclear industries, where product failure may result in injury, loss of life or catastrophic property damage. Customers should therefore satisfy themselves of the actual performance requirements and subsequently the products suitability for any particular design application and the environment in which the product is to be used. Continual research and development may require change to products and specification without prior notification. © Active Sensors