



LT1300 range

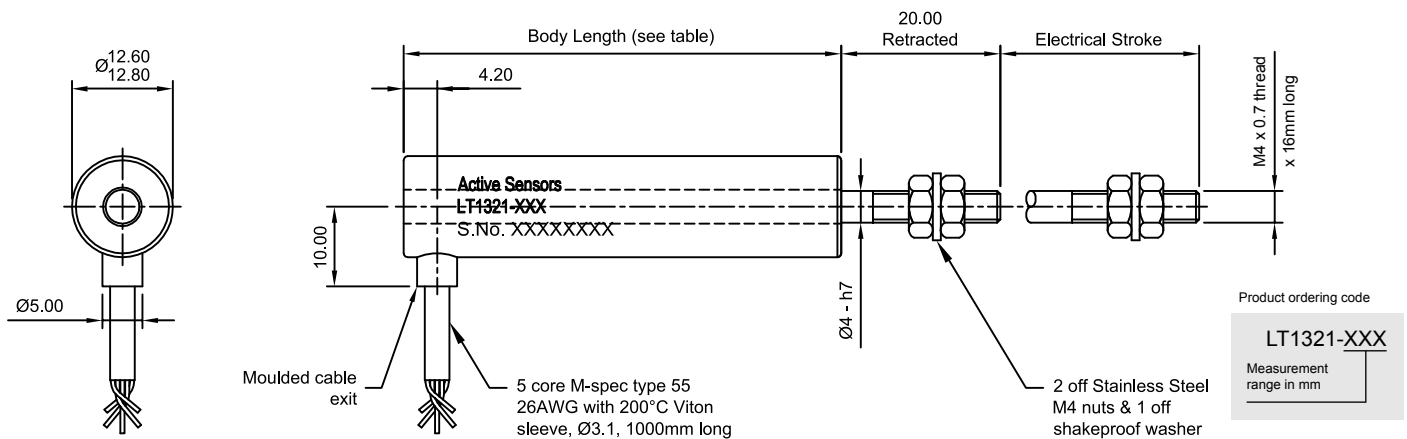


- Measurement range: 25mm to 200mm
- Robust and slim 12.7mm body Ø
- 200°C (400°F) operating temperature
- Sealed as standard
- Long operational life
- Raychem cabling

The LT1300 sensors contains design features which make it suitable for applications where high temperature, severe vibration, high cycling and fluid contamination are important considerations. The sensor is used in installations when size, performance and reliability are part of the design criteria and are used extensively in motorsport control systems for throttle and clutch actuation. Other applications include flight control and measurement systems. The sensor housing is manufactured from stainless steel and is environmentally sealed and fitted with Raychem fire & chemical resistant, high temperature Viton-type 55-26 signal cabling for total system reliability. The LVDT sensor is designed to convert the linear movement of a separate non-contacting core or shaft into a proportional voltage output.

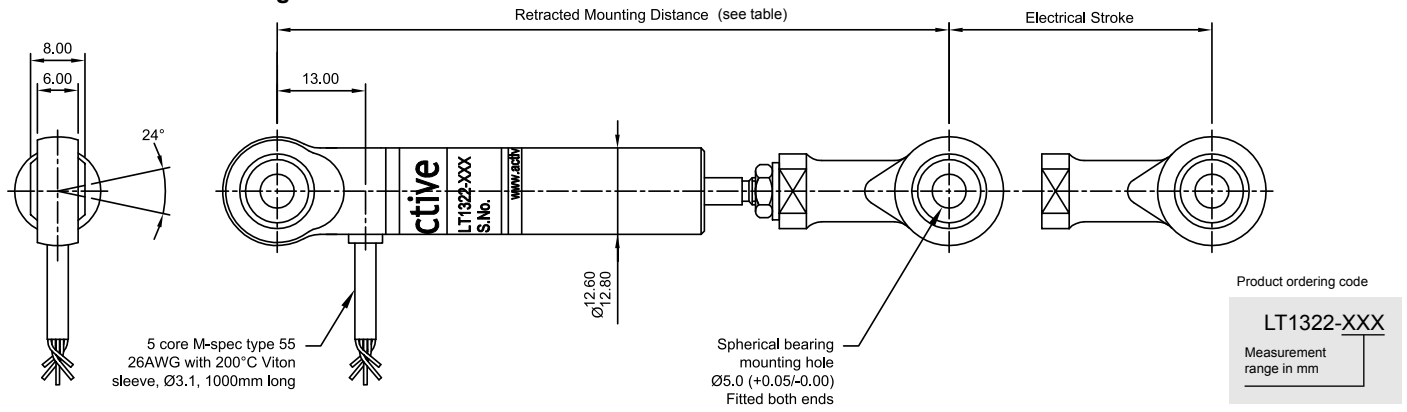
Model dimensions and mounting

LT1321 - body clamp / side cable exit



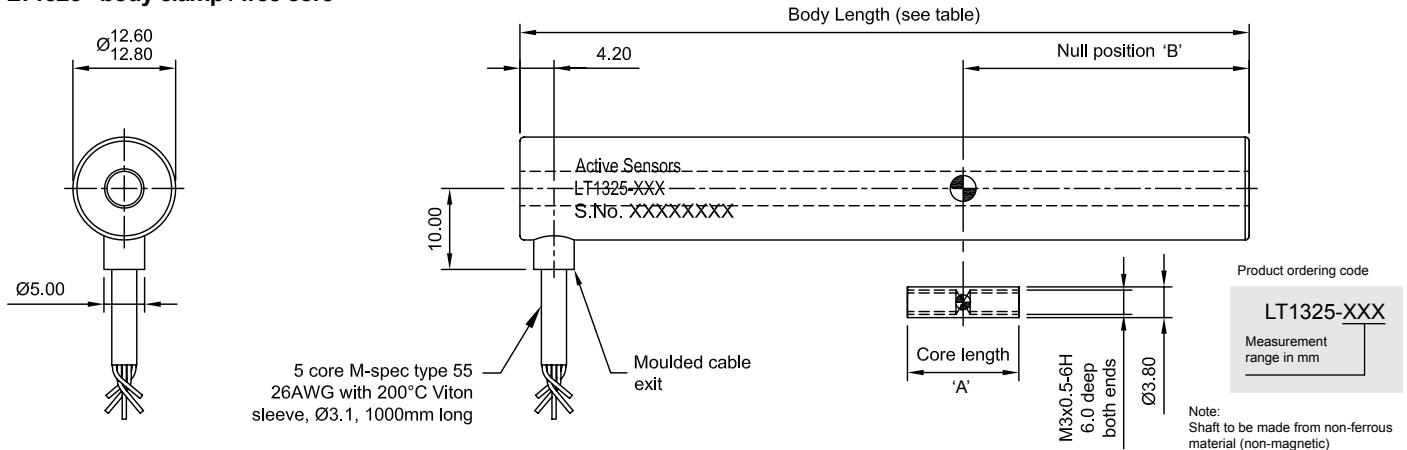
Not to scale. Dims: mm

LT1322 - rod end mounting



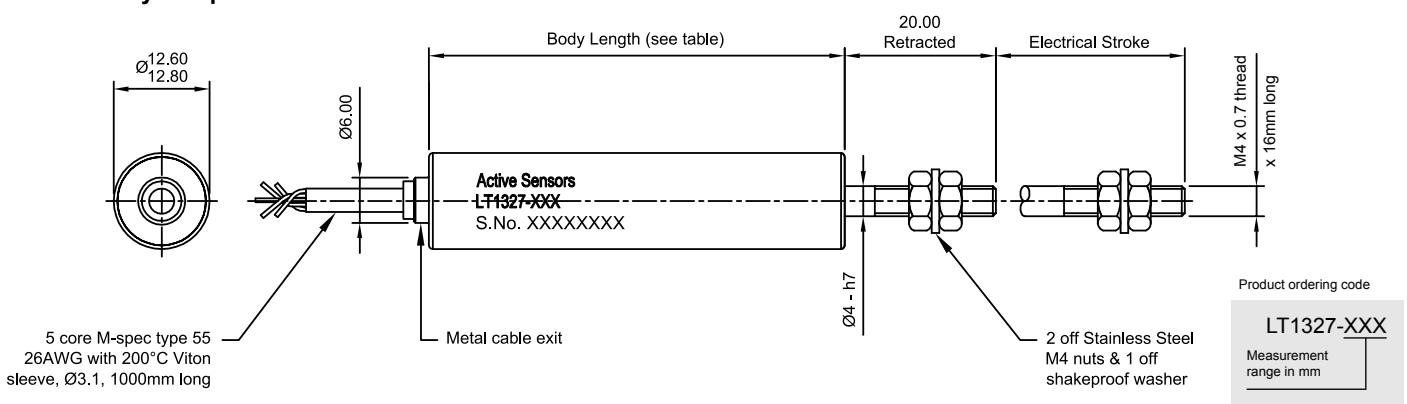
Not to scale. Dims: mm

LT1325 - body clamp / free core



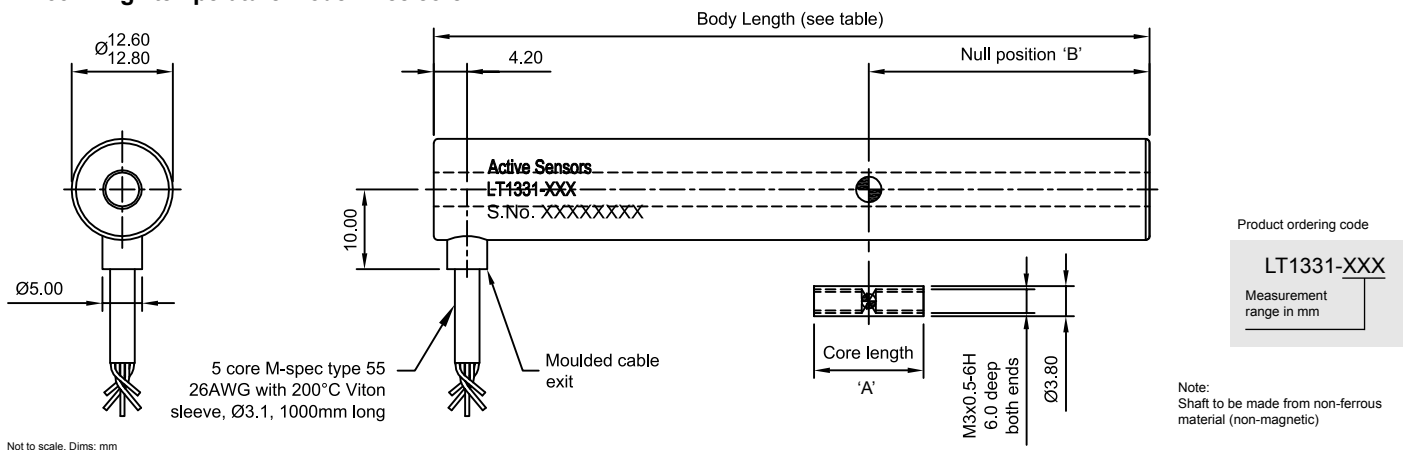
Not to scale. Dims: mm

LT1327 - body clamp / rear cable exit



Not to scale. Dims: mm

LT1331 - high temperature model / free core

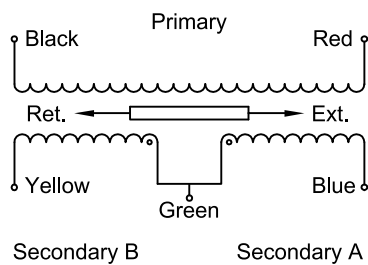


Not to scale. Dims: mm

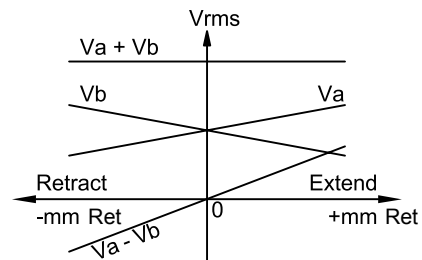
Electrical & mechanical information for LT1300 range

Input conditions	3.0V RMS $\pm 5\%$ @ 2.5 KHz $\pm 5\%$						
Electrical stroke	25 (± 12.50)	50 (± 25.00)	75 (± 37.50)	100 (± 50.00)	150 (± 75.00)	200 (± 100.00)	mm
Mechanical stroke (min.)	± 13.50	± 26.00	± 38.00	± 51.00	± 76.00	± 101.00	mm
Body length	55.0	90.0	125.0	153.0	205.0	255.0	mm
Retracted mounting distance	125.0	150.0	195.0	223.0	275.0	323.0	mm
Core length 'A'	13.8	13.8	15.0	33.0	33.0	26.0	mm
Null position 'B'	22.8	35.3	55.1	71.8	97.6	122.3	mm
Summed output voltage (nominal)	0.97	0.93	0.84	0.80	0.77	0.91	v/v
Ratiometric sensitivity $\pm 5\%$	0.025	0.0132	0.010	0.008	0.006	0.004	/mm
Non-linearity	$\leq \pm 0.5$						%
Input impedance	>200	>300	>400	>500	>600	>700	Ohms
Operating temperature	LT1321, 22, 25, 26 - -55° to $+150^\circ$			LT1331 - -55° to $+200^\circ$			$^\circ\text{C}$
Environmental	Sealed						
Materials	Case - stainless steel 416 Shaft - stainless steel 316						

Electrical Connections



LVDT AC Output Schematic



Other LVDT position sensor models available

- LT0600**
- Range up to 20mm
 - Micro-slim 6.0mm body \varnothing
 - 180°C (360°F) operating temperature
 - Ultra-compact design



- LT0800**
- Range up to 40mm
 - Ultra-slim 8.0mm body \varnothing
 - 200°C (400°F) operating temperature
 - Ultra-compact design



- LT0950**
- Range up to 50mm (2")
 - Slim 9.54mm body \varnothing
 - 200°C (400°F) operating temperature
 - Sealed as standard



Please see separate datasheet for electronic signal conditioning for LVDT sensors.

Contact details

Europe

Active Sensors Ltd
Unit 12, Wilverley Road
Christchurch, Dorset
BH23 3RU
UK



Tel +44 (0)1202 480620
Fax +44 (0)1202 480664

North America

Active Sensors Inc.
8520 Allison Point Blvd Suit 220
Indianapolis
IN 46250
USA



Tel + 317 713 2973
Fax + 317 713 2950

sales@activesensors.com

Additional product information

The information contained in this data sheet on product applications should be used by customers for guidance only. Active Sensors makes no warranty or representation in respect of product fitness or suitability for any particular design application, environment or otherwise except as may subsequently be agreed in the contract for the sale and purchase of products. Additionally, Active Sensors gives no guarantee or warranty for its products in critical control applications, typically in life support systems and the aviation and nuclear industries, where product failure may result in injury, loss of life or catastrophic property damage. Customers should therefore satisfy themselves of the actual performance requirements and subsequently the products suitability for any particular design application and the environment in which the product is to be used. Continual research and development may require change to products and specification without prior notification. © Active Sensors