



### RP5100 range



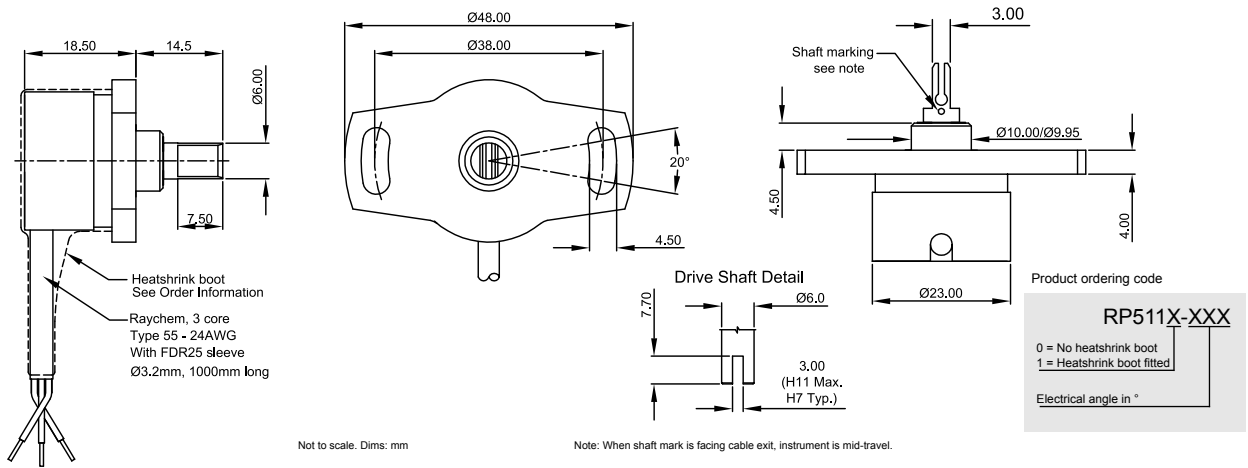
- General-purpose (plastic housing)
- Bush type shaft bearing
- Choice of electrical angles
- Flange mounting
- Choice of shaft detail
- Protective shrink boot option

This general-purpose sensor is used extensively in motorsport data acquisition systems for monitoring suspension movement, steering angle and gear position. The sensor housing is manufactured from glass filled nylon and the operating shaft is stainless steel. The sensor is environmentally sealed as standard and is fitted with Raychem fire & chemical resistant, high temperature FDR-type 55-24 signal cabling. The sensor housing is also designed for the easy fitting of an optional shrink down boot for additional sensor protection.

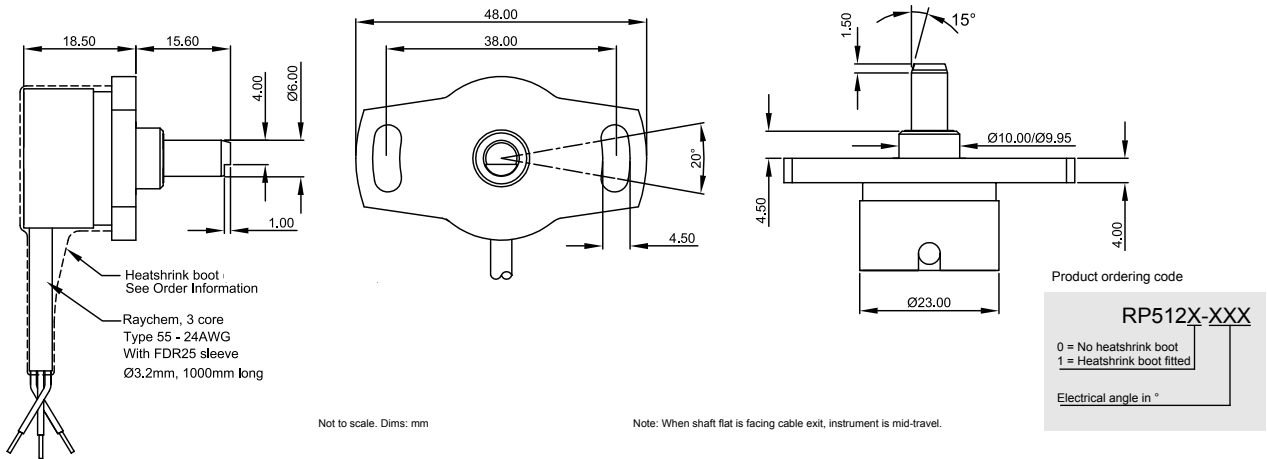
Designed with a combination of Active's unique 'thick track' technology and precious metal multi-fingered electrical contacts, the sensor has an infinite output resolution coupled with long operational life.

# Model dimensions and mounting

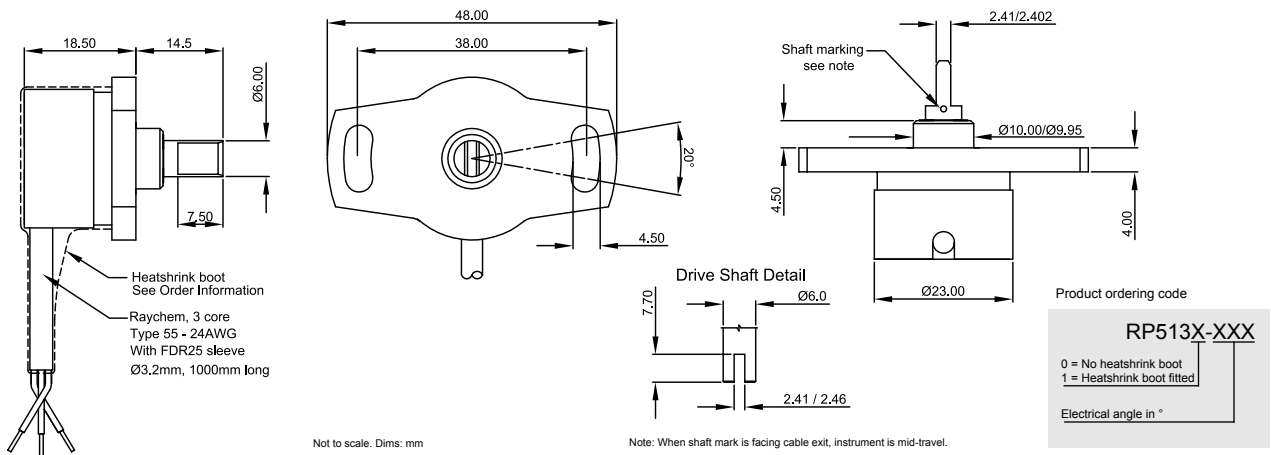
## RP5110 - flange mounting / sprung shaft



## RP5120 - flange mounting / round shaft



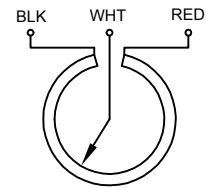
## RP5130 - flange mounting / blade shaft



## Electrical & mechanical information for RP5100 range

Electrical angle ( $\pm 2^\circ$ )	350°	130°	100°	
Resistance (Typical)	4.5	1.5	1	K ohms
Non-linearity	< $\pm 0.50$			%
Applied voltage	<42	<14	<14	Volts
Maximum wiper current	1			mA
Mechanical travel	360° continuous			
Output smoothness	MIL-R-39023 Grd.C 0.1%			
Insulation resistance (at 500V dc)	>100			M ohms
Operating temp. range	-55° to +125°			°C
Sealing	IP66			
Weight	38			grams
Shaft starting torque (max.)	60			grams
Materials	Case - Glass filled Nylon Shaft - Stainless Steel 303 series Bearing - DU Bush			

## Electrical Connections



Schematic view on shaft

Note: Incorrect wiring may cause internal damage.

Circuit recommendation: Due to the presence of a high contact resistance, these potentiometers should be used as voltage dividers only. Operation with wiper circuits of low impedance will degrade the output signal.

## Other RP rotary position sensor models available

### RP0900

- Servo & flange mounting
- Twin ball-race shaft bearings
- Choice of electrical angles
- Single, duplex or triplex models



### RP5200

- Robust aluminium construction
- Twin ball-race shaft bearings
- Choice of electrical angles
- Flange mounting



### RP5300

- Robust aluminium construction
- Choice of electrical angles
- Twin ball-race shaft bearings
- Flange mounting



## Contact details

### Europe

Active Sensors Ltd  
Unit 12, Wilverley Road  
Christchurch, Dorset  
BH23 3RU  
UK



### North America

Active Sensors Inc.  
8520 Allison Point Blvd Suit 220  
Indianapolis  
IN 46250  
USA



Tel +44 (0)1202 480620  
Fax +44 (0)1202 480664

Tel + 317 713 2973  
Fax + 317 713 2950

[sales@activesensors.com](mailto:sales@activesensors.com)

### Additional product information

The information contained in this data sheet on product applications should be used by customers for guidance only. Active Sensors makes no warranty or representation in respect of product fitness or suitability for any particular design application, environment or otherwise except as may subsequently be agreed in the contract for the sale and purchase of products. Additionally, Active Sensors gives no guarantee or warranty for its products in critical control applications, typically in life support systems and the aviation and nuclear industries, where product failure may result in injury, loss of life or catastrophic property damage. Customers should therefore satisfy themselves of the actual performance requirements and subsequently the products suitability for any particular design application and the environment in which the product is to be used. Continual research and development may require change to products and specification without prior notification. © Active Sensors

Doc. Ref: WS-RP5100-2A

Page 3/3