

XLT1325

XLT (LVIT) linear sensor

(Linear Variable Inductive Transducer)

The XLT1325 is a compact, long life, high temperature linear position sensor with integral electronics. It is housed in a slim 12.70mm \varnothing stainless steel body and has fully encapsulated, sealed internal electronics and electrical connections. The sensor is manufactured to quality standards required for high performance, high cyclic control and measurement systems.

With a measurement range from 25mm to 200mm, the sensor operates from either a 5Vdc regulated or 6 to 30Vdc unregulated supply with a low noise analogue output of 0.5V to 4.5Vdc. The XLT's precision wound inductive coils enable an improved temperature performance (low thermal drift, typically $\pm 0.01\%$ FS/ $^{\circ}$ C), compared to other similar inductive products.

Other models in this range

XLT0950 - \varnothing Flange mounting (9.54mm body)

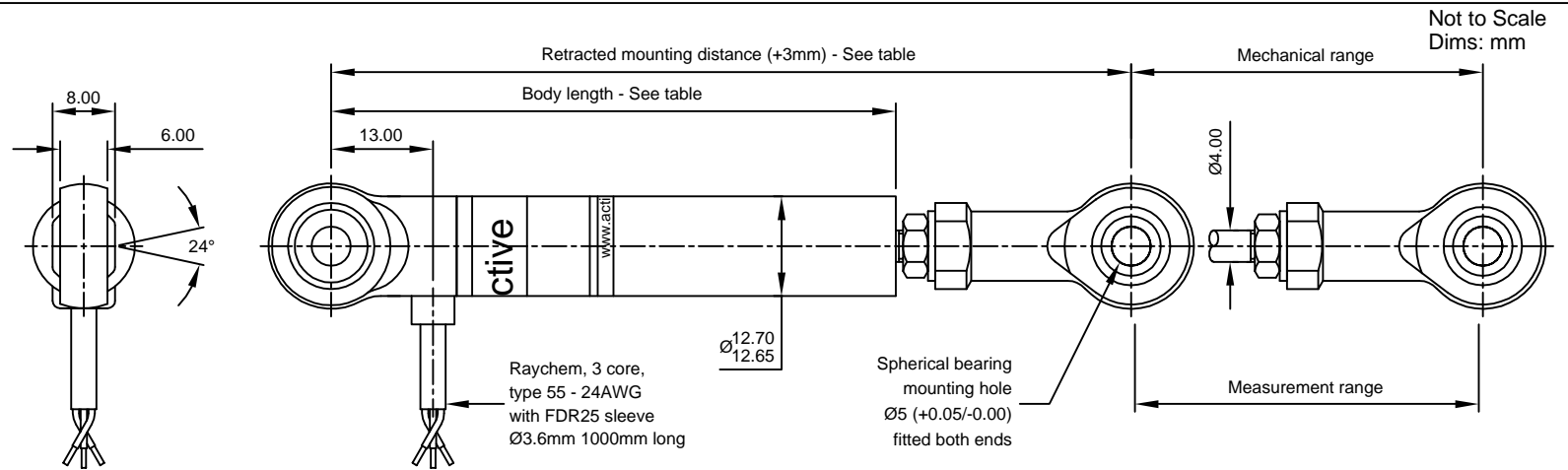
XLT095X Higher temperature model with separate signal conditioning

XLT1321 - body clamp mounting (12.70mm body \varnothing)

XLT132X - Higher temperature model with separate signal conditioning

Active sensors

sales@activesensors.com



Electrical & Mechanical Information

Measurement range	25	50	75	100	150	200	mm
Retracted mounting distance	173	198	223	248	298	348	mm
Body length	143	168	193	218	268	318	mm
Input voltage (+Vs)	5V regulated or 6-30V unregulated						Volts DC
Supply current	<10						mA dc
Output voltage (Vo)	0.50 to 4.50						Volts DC
Non-Linearity	< ± 0.30						%
Thermal drift	< $\pm 0.01\%$						FS/ $^{\circ}$ C
Output load	>150						ohms
Output noise and ripple	0.1%						FS (pk-pk)
Frequency response (-3dB)	500 (Nom)						Hz
Operating temp. range	-40 $^{\circ}$ to +125 $^{\circ}$						$^{\circ}$ C
Environmental	Sealed						
Case material	Stainless Steel 410						
Core material	Stainless Steel 416						

Note 1: Incorrect wiring may cause internal damage to the sensor.

