

LT1322

Slim robust LVDT Sensor

(Linear Variable Differential Transformer)

The LT1322 sensors contains design features which make it suitable for applications where high temperature, severe vibration, high cycling and fluid contamination are important considerations.

The sensor is used in installations when size, performance and reliability are part of the design criteria and are used extensively in motorsport control systems for throttle and clutch actuation. Other applications include flight control and measurement systems.

The sensor housing is manufactured from stainless steel and is environmentally sealed and fitted with Raychem fire & chemical resistant, high temperature Viton-type55-26 signal cabling for total system reliability.

The LVDT sensor is designed to convert the linear movement of a separate non-contacting core or shaft into a proportional voltage output.

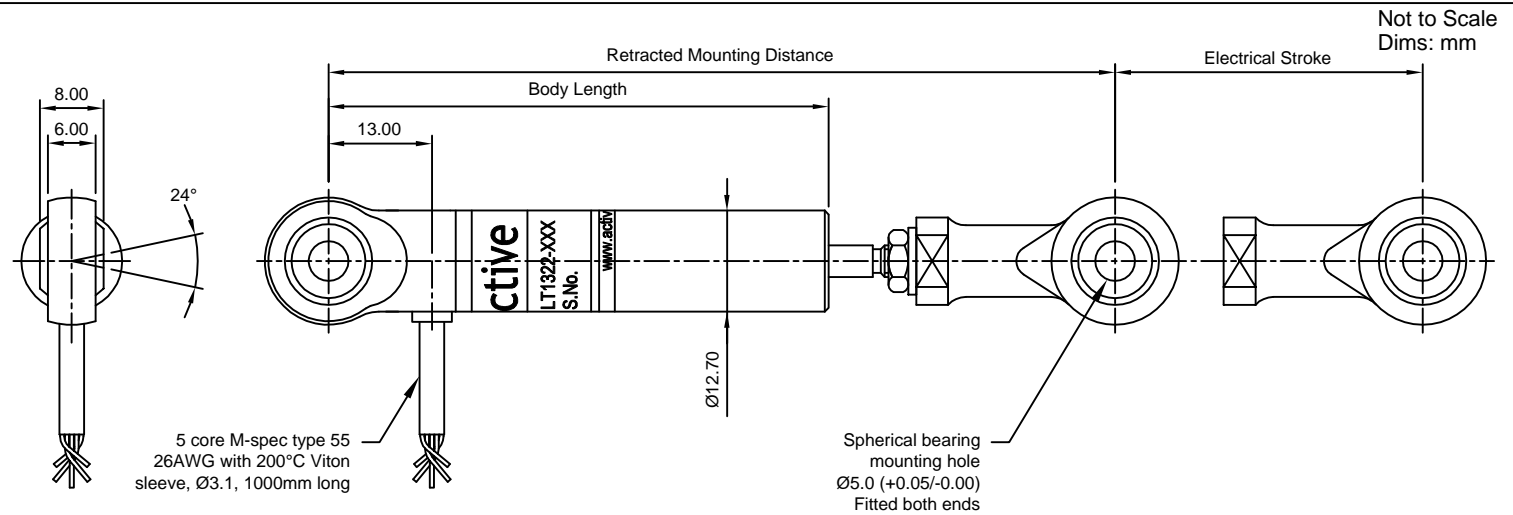
Other models in this range

- LT0600 - Micro-slim compact (6mm \varnothing)
- LT0800 - Ultra-slim compact (8mm \varnothing)
- LT0950 - 9.5mm \varnothing choice of mounting

Also see Active Sensors electronics for LVDT sensors



sales@activesensors.com



Electrical & Mechanical Information

Input conditions	3.0V RMS $\pm 5\%$ @ 2.5 KHz $\pm 5\%$						
Electrical stroke	25 (± 12.50)	50 (± 25.00)	75 (± 37.50)	100 (± 50.00)	150 (± 75.00)	200 (± 100.00)	mm
Mechanical stroke	± 13.50	± 26.00	± 38.50	± 51.00	± 76.00	± 101.00	mm
Retracted Mounting Distance	125.0	150.0	195.0	223.0	275.0	323.0	mm
Body Length	89.0	114.0	159.0	187.0	239.0	287.0	mm
Summed output voltage - nominal	0.97	0.93	0.84	0.80	0.77	0.91	V/Vin
Ratiometric sensitivity $\pm 5\%$	0.025	0.0132	0.010	0.008	0.006	0.004	/mm
Non-linearity	$\leq \pm 0.5$						%
Input impedance	>200	>300	>400	>500	>600	>700	Ohms
Operating temperature	-55° to +125°						°C
Environmental	Sealed						
Case material	Stainless Steel 416						
Shaft material	Stainless Steel 316						

