



Rotary Hall-Effect sensor range

RH 'contactless' rotary position sensors have been specifically designed to provide precision rotary measurements utilising industry proven Hall-Effect technology. When the shaft is rotated at the sensing modules face, the circuit accurately measures up to 360° of angle. There is no contact between the sensing circuit and the actuator making the sensor ideal in extreme environments of high temperatures, shock and vibration.

The sensors operate from a 5Vdc regulated or 8 to 30Vdc unregulated supply and have built-in over voltage and reverse polarity protection. The output signal is 0 - 5.0V with a 12-bit resolution (0.025%) and the operating temperature is 150°C, with excursions permissible to 170°C. Every RH sensor is heat cycled (thermally tested) prior to final calibration to ensure performance stability over its operational life.

- Measurement angle up to to 360°
- Contactless technology
- Single and Twin Hall Effect options
- High temperature operation
- Compact 'low-profile' design
- Raychem signal cabling
- Highly accurate (+/-0.25%)
- Twin 'ball-race' shaft bearings
- Models available from stock
- Protective shrink boot option

RH0500 series

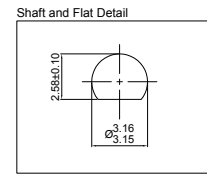
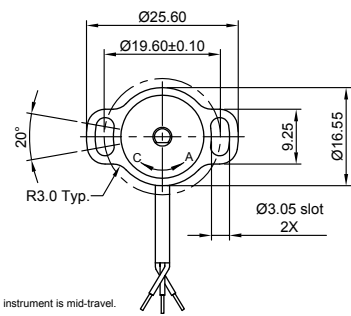
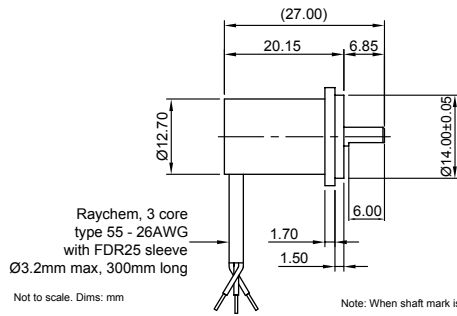
Model features

- Measurement angle up to 360°
- Contactless technology
- High temperature operation
- Twin 'ball-race' shaft bearings
- Operational life >20 million cycles
- Highly accurate (+/-0.25%)



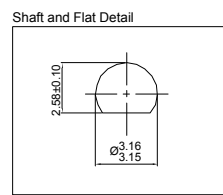
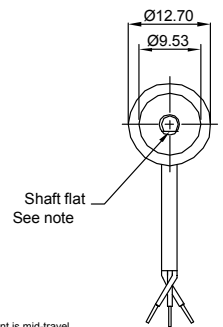
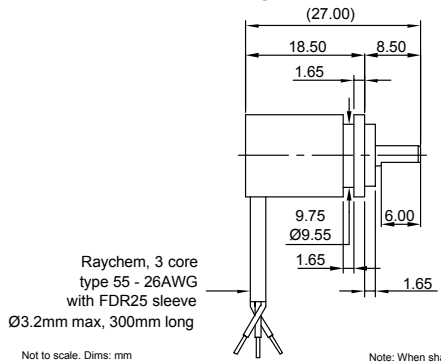
Model dimensions and mounting

RH0510 - flange mounting / flat shaft



Product ordering code
RH0510 XV-XXX
 Output Direction (viewed on shaft)
 C = Clockwise
 A = Anticlockwise
 Measurement angle in °

RH0520 - servo mounting / flat shaft

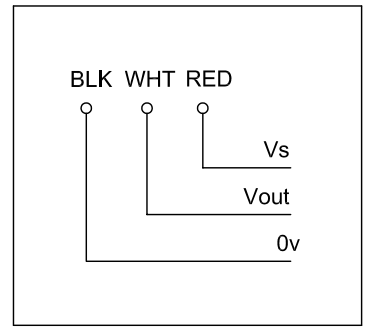


Product ordering code
RH0520 XV-XXX
 Output Direction (viewed on shaft)
 C = Clockwise
 A = Anticlockwise
 Measurement angle in °

Electrical & mechanical information for the RH0500 series

	5 Volt	
Performance Specification		
Electrical angle	20 to 360 in 1° increments	°
Resolution	0.025	% of measurement angle
Independant Non-Linearity (Least squares best fit method)	<±0.25	% FS
Temperature coefficient	<±30	ppm/°C FS
Update rate	>500	Hz
Max operating speed	600	rpm
Input Specification		
Supply voltage (Vs)	5.0±10% regulated	V DC
Over voltage protection	up to 20	V DC
Supply current	<15	mA
Reverse polarity protection	<-10	V DC
Power on settlement time	<100	mS
Output Specification		
Voltage output (Vout)	0-Vs	V DC
Monotonic range	1 - 99	% Vout
Load resistance	>10	KOhms
Output noise	<10	mV DC
Output type	Analogue Voltage	
Output direction	Clockwise or counter clockwise (specified at time of order)	
General Specification		
Operating torque	<0.6	gf cm
Shaft velocity	<3600	°/Sec
Weight	22	grams
Protection	IP50	
Life	> 20 million operations	
Dither life	Contactless - no degradation due to shaft dither	
Operational temperature	-40 to +150 °C	
Storage temperature	-55 to +150 °C	
Materials	Case - Aluminium 6026 Shaft - Stainless steel 316	

Electrical Connections



Note: Incorrect wiring may cause internal damage.

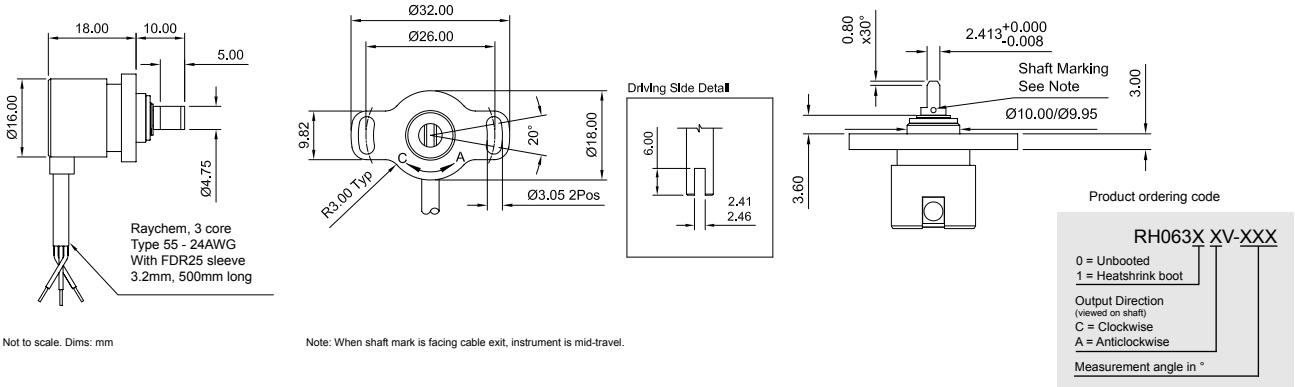
RH0600 series

Model features

- Measurement angle up to 360°
- Contactless technology
- High temperature operation
- Twin 'ball-race' shaft bearings
- Life (Bearings) >500 million cycles
- Highly accurate (+/-0.25%)



RH0630 - flange mounting / blade shaft



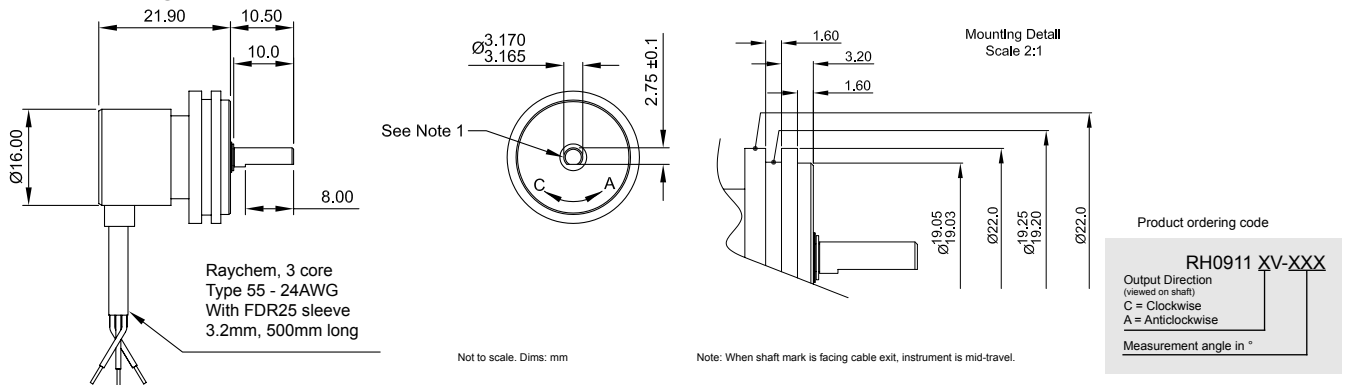
RH0900 series

Model features

- Measurement angle up to 360°
- Contactless technology
- High temperature operation
- Twin 'ball-race' shaft bearings
- Life (Bearings) >500 million cycles
- Highly accurate (+/-0.25%)



RH0911 - servo mounting / flat shaft

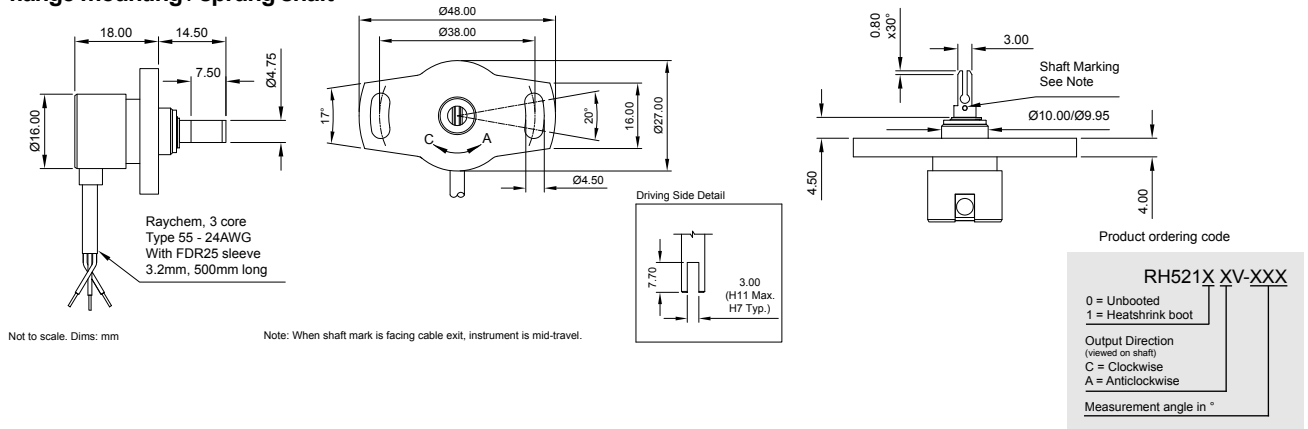


Model features

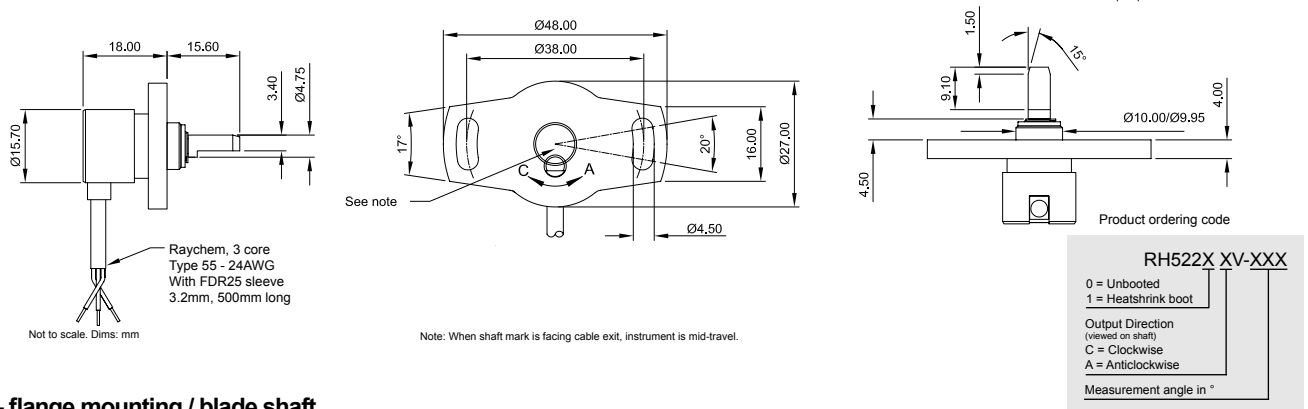
- Measurement angle up to 360°
- Contactless technology
- High temperature operation
- Twin 'ball-race' shaft bearings
- Life (Bearings) >500 million cycles
- Highly accurate (+/-0.25%)



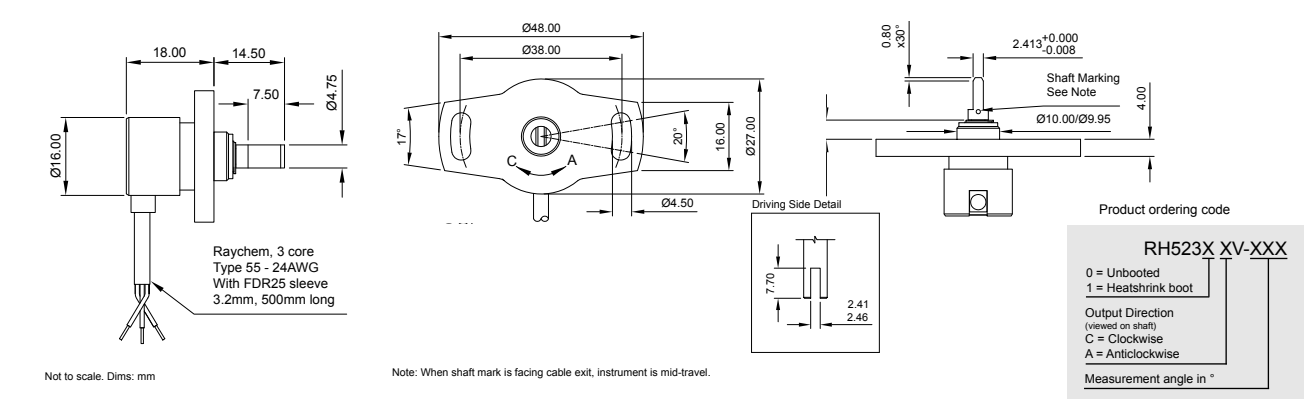
RH5210 - flange mounting / sprung shaft



RH5220 - flange mounting / round shaft



RH5230 - flange mounting / blade shaft

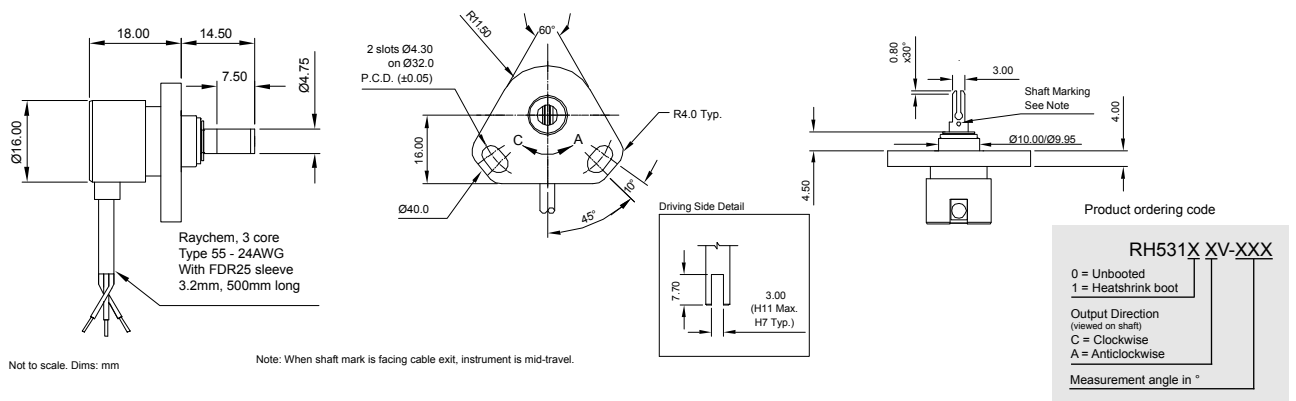


Model features

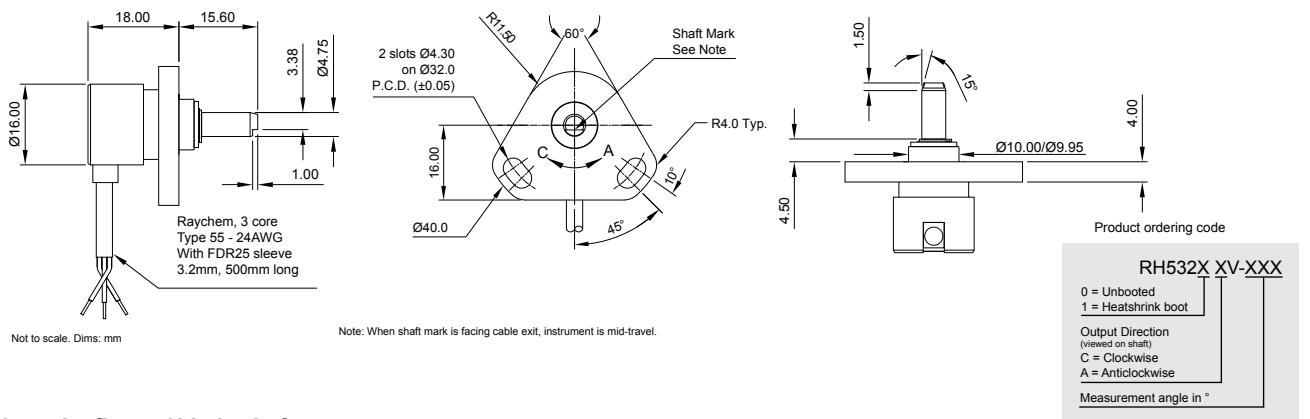
- Measurement angle up to 360°
- Contactless technology
- High temperature operation
- Twin 'ball-race' shaft bearings
- Life (Bearings) >500 million cycles
- Highly accurate (+/-0.25%)



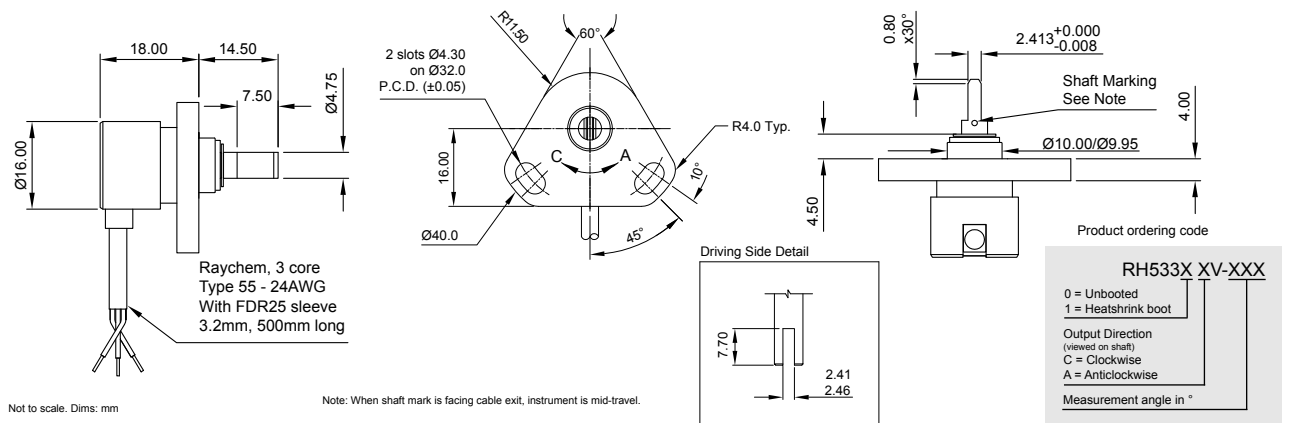
RH5310 - triangular flange mounting / sprung shaft



RH5320 - triangular flange / round shaft



RH5330 - triangular flange / blade shaft

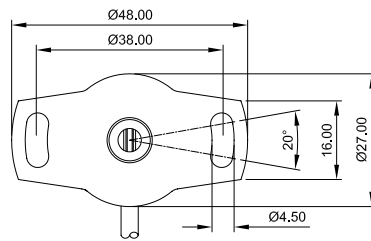
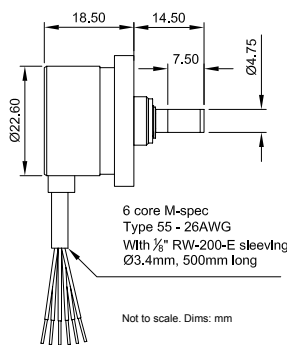


Model features

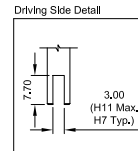
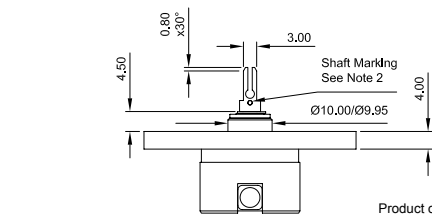
- Twin Hall Effect
- Measurement angle up to 360°
- Contactless technology
- High temperature operation
- Twin 'ball-race' shaft bearings
- Life (Bearings) >500 million cycles
- Highly accurate (+/-0.25%)



RH5410 - flange mounting / sprung shaft



Note: When shaft mark is facing cable exit, instrument is mid-travel.

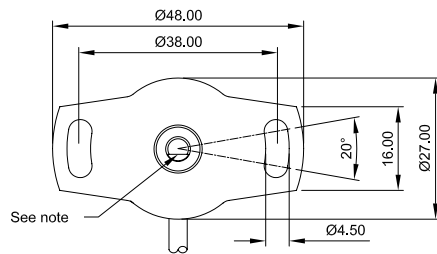
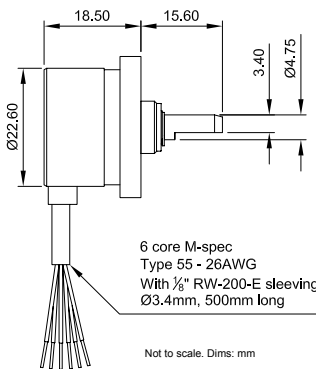


Product ordering code

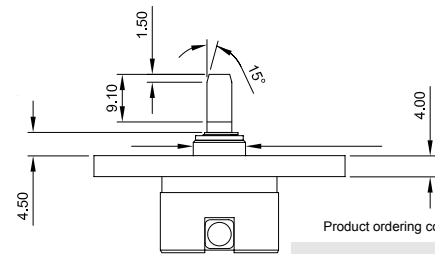
RH541X XV-XXX

0 = Unbooted
1 = Heatshrink boot
Output Direction (viewed on shaft)
C = Clockwise
A = Anticlockwise
Measurement angle in °

RH5420 - flange mounting / round shaft



Note: When shaft mark is facing cable exit, instrument is mid-travel.

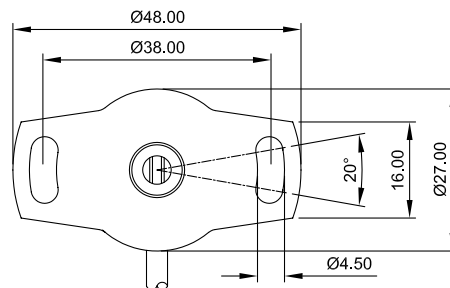
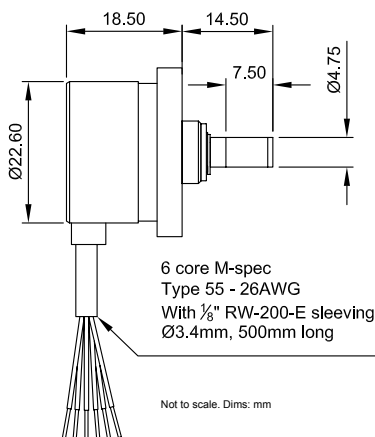


Product ordering code

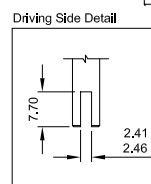
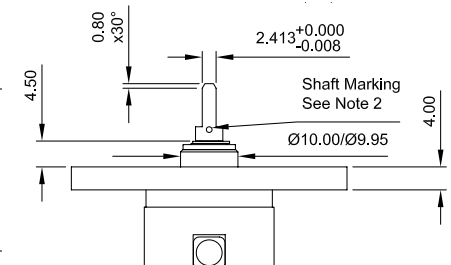
RH542X XV-XXX

0 = Unbooted
1 = Heatshrink boot
Output Direction (viewed on shaft)
C = Clockwise
A = Anticlockwise
Measurement angle in °

RH5430 - flange mounting / blade shaft



Note: When shaft mark is facing cable exit, instrument is mid-travel.



Product ordering code

RH543X XV-XXX

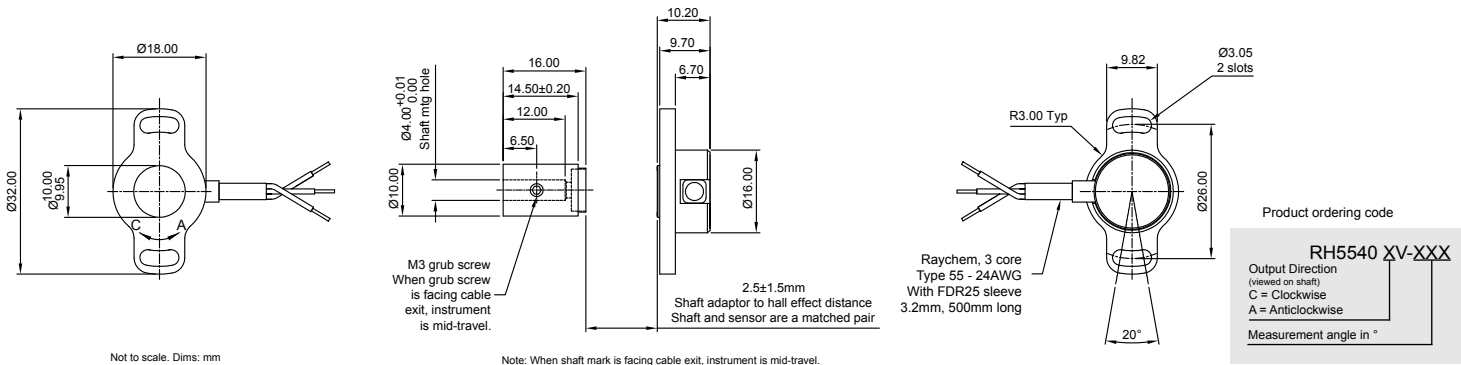
0 = Unbooted
1 = Heatshrink boot
Output Direction (viewed on shaft)
C = Clockwise
A = Anticlockwise
Measurement angle in °

Model features

- Measurement angle up to 360°
- Contactless technology
- High temperature operation
- Twin 'ball-race' shaft bearings
- Life (Bearings) >500 million cycles
- Highly accurate (+/-0.25%)



RH5540 - flange mounting / free shaft



Electrical & mechanical information for the RH0600, RH0900, RH5200, RH5300, RH5400 and RH5500 series

Input Specification

Supply voltage (Vs)	5.0±10% regulated	8 to 30 unregulated	V DC
Over voltage protection		up to 50	V DC
Supply current		<15	mA
Reverse polarity protection		up to -10	V DC
Power on settlement time		<100	mS
Input voltage rise time		0.25 minimum	V/mS

Output Specification

Output type	Analogue		
Output direction	Clockwise or counter clockwise (specified at time of order)		
Voltage output (Vout)	0-Vs (+5v)	0 to 5.0	V DC
Monotonic range		1 - 99%	Vout
Load resistance		>10K	Ohms
Output noise		<5	mV rms

Performance Specification

Measurement angle	20 to 360 ±2 in 1° increments		°
Resolution		0.025	% of measurement angle
Independent Non-Linearity (see note 4)		<±0.25	FS
Phasing (RH5400 only)		<0.5%	%FS
Temperature coefficient	<±0.003%	<±0.011%	FS/°C
Update rate		>500	Hz
Max operating speed		600	rpm

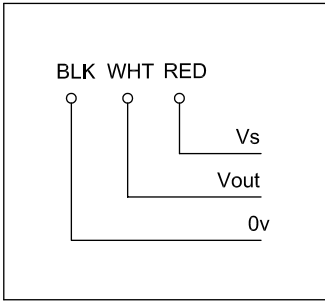
General Specification

Weight - RH0900	22	grams
Weight - RH0600/RH5300 series	33	grams
Weight - RH5200 series	23	grams
Weight - RH5400 series	23	grams
Weight - RH5500 series	Case and cable = 12, shaft adapter = 9	grams
Protection	IP67	
Life (Bearings)	> 500 million operations	(dependant on environment)
Dither life	Contactless - no degradation due to shaft dither	
Operational temperature	-40 to +150	See de-rating graph
Storage temperature	-55 to +150	
Materials	Case - Aluminium 6026 Module - Glass filled nylon Shaft - Stainless steel 316	

Note 1: Incorrect wiring may cause internal damage.
Note 3: Do not operate between 5.5V and 8V.

Note 2: When shaft marking is facing cable exit, instrument is mid-travel (2.5v output).
Note 4: Non-linearity is calculated from Least Squares Best Fit method.

Electrical Connections
RH0600, RH0900, RH5200, RH5300
and RH5500 series

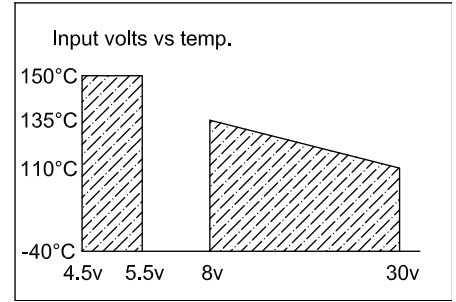


Note: Incorrect wiring may cause internal damage.

Electrical Connections RH5400 series

	Wire Color	Function
Channel 1	Red	Supply Voltage (Vs)
	White	Output Voltage (Vout)
	Black	Ground
Channel 2	Blue	Supply Voltage (Vs)
	Yellow	Output Voltage (Vout)
	Green	Ground

Operational Temp



Contact details

Europe

Active Sensors Ltd
Unit 12, Wilverley Road
Christchurch, Dorset
BH23 3RU
UK



North America

Active Sensors Inc.
8520 Allison Point Blvd Suit 220
Indianapolis
IN 46250
USA



Tel +44 (0)1202 480620
Fax +44 (0)1202 480664

Tel + 317 713 2973
Fax + 317 713 2950

sales@activesensors.com

Additional product information

The information contained in this data sheet on product applications should be used by customers for guidance only. Active Sensors makes no warranty or representation in respect of product fitness or suitability for any particular design application, environment or otherwise except as may subsequently be agreed in the contract for the sale and purchase of products. Additionally, Active Sensors gives no guarantee or warranty for its products in critical control applications, typically in life support systems and the aviation and nuclear industries, where product failure may result in injury, loss of life or catastrophic property damage. Customers should therefore satisfy themselves of the actual performance requirements and subsequently the products suitability for any particular design application and the environment in which the product is to be used. Continual research and development may require change to products and specification without prior notification. © Active Sensors