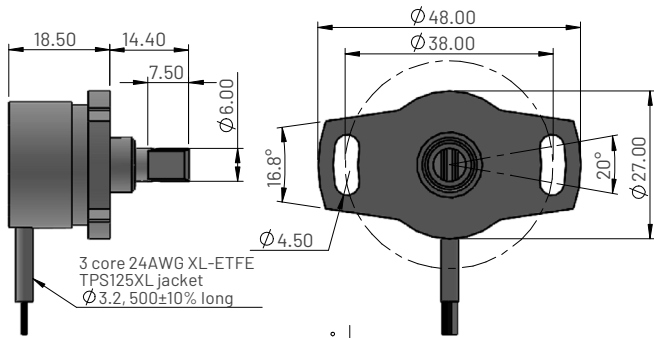


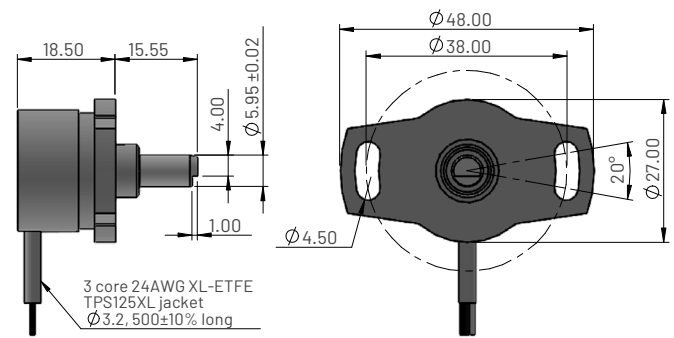
RP5100 Series - Rotary potentiometer

General-purpose series

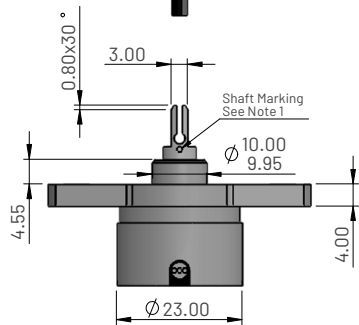
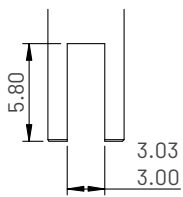
Dimensions for RP5110 - Flange mounting - sprung shaft



Dimensions for RP5120 - Flange mounting - round shaft



Drive shaft detail

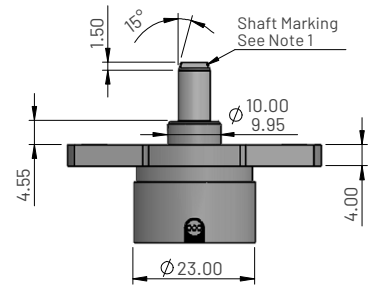


Ordering information

RP5110-XXX

Electrical angle in degrees

Drive shaft detail

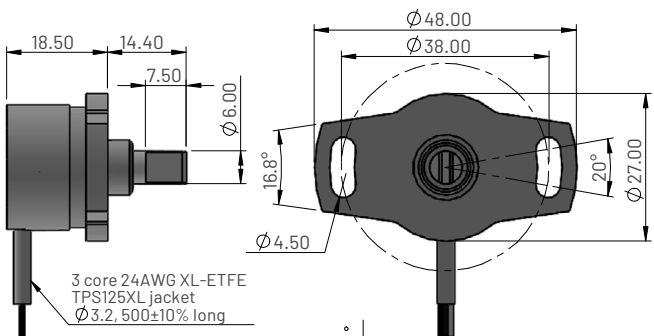


Ordering information

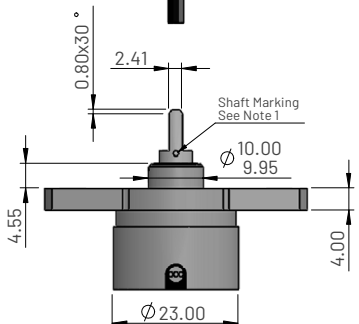
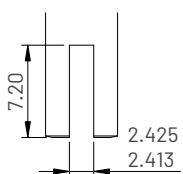
RP5120-XXX

Electrical angle in degrees

Dimensions for RP5130 - Flange mounting - blade shaft



Drive shaft detail



Ordering information

RP5130-XXX

Electrical angle in degrees

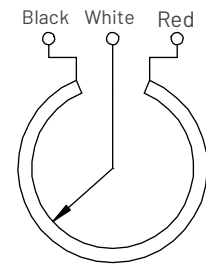
RP5100 Series - Rotary potentiometer

General-purpose series

Electrical and mechanical specification for RP5100

Parameters	Values			Units
Electrical angle ($\pm 2^\circ$)	100	130	350	°
Resistance (Typical)	1.0	1.5	4.5	Kohms
Non-linearity	$\leq \pm 0.5$			%
Applied voltage	<14	<14	<42	VDC
Maximum wiper current	1			mA
Mechanical travel	360° Continuous			
Output smoothness	MIL-R-39023 Grd.C 0.1%			
Insulation resistance (at 500V DC)	>100			Mohms
Operating temperature range	-55 to +125			°C
Sealing	IP66			
Shaft starting torque (max.)	60			grams
Weight (approx.)	38			grams
Materials	Sensor	Case - Black glass filled nylon, Shaft - Stainless steel		
	Bearing	Bush type		

Electrical connections (see note 2)



Notes

1. When shaft marking is facing cable exit, instrument is mid-travel.
2. Incorrect wiring may cause internal damage.
3. General dimension tolerance is ± 0.25 .