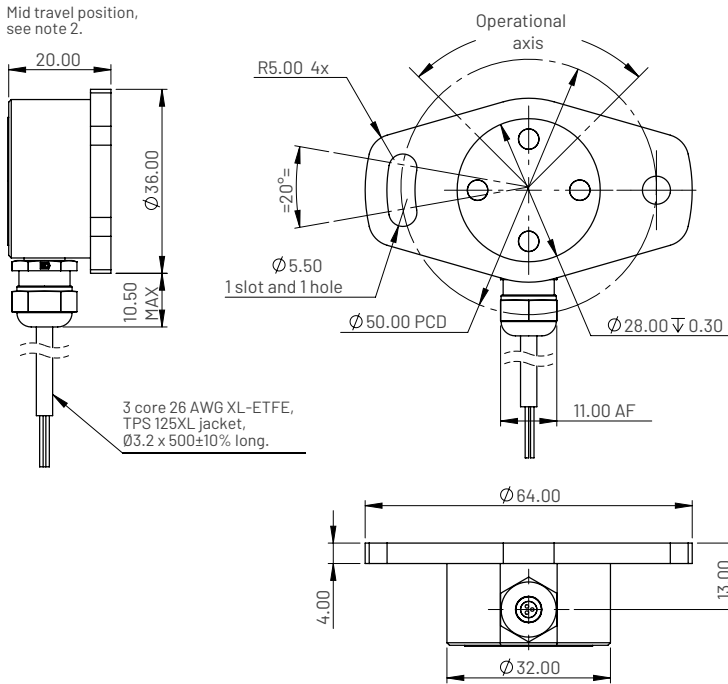


**Dimensions**



**Ordering code**

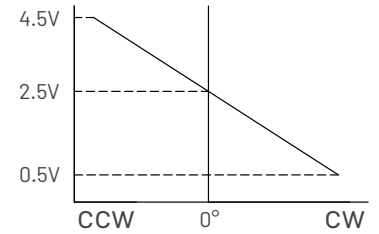
**MHT5200-AV-XXX**

Voltage output \_\_\_\_\_  
Total tilt angle in degrees \_\_\_\_\_

**Electrical connections (see note 1)**

Wire Colour	Function
Red	Supply Voltage (Vs)
White	Output Voltage (Vout)
Black	Ground

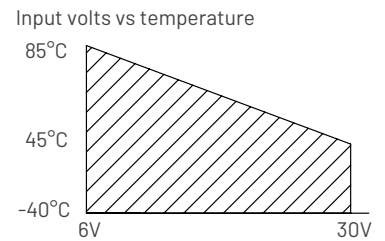
**Typical output after linearisation when viewed on top (lid) with slot on right**



**Electrical and mechanical specification**

Parameters	Values	Units
<b>Input specification</b>		
Supply voltage (Vs)	6 to +30 unregulated	VDC
Over voltage protection	Up to 60	VDC
Supply current	<20	mA
Reverse polarity protection	Up to -60	VDC
Power on settlement time	<500	ms
<b>Output specification</b>		
Output type	Analogue voltage	
Voltage output (Vout)	10 - 90% Vs	0.5 - 4.5 VDC
Line regulation	<0.01	%FS
Load resistance	>10K	Ohms
Output noise	<2	mV RMS
<b>Performance specification</b>		
Measurement range	20°	%FS
	(±10°)	
Resolution	40°	%measurement
	(±20°)	
Non-linearity (see note 4)	60°	%FS
	(±30°)	
Temperature coefficient (Vout)	120°	%FS/°C
	(±60°)	
Bandwidth (-3db)	180°	Hz
	(±90°)	
Cross axis sensitivity	240°	Max
	(±120°)	
<b>General specification</b>		
Weight (approx.)	20.0	grams
Protection/sealing	IP68 and IP69K	
Operational temperature	See de-rating graph	°C
Storage temperature	-30 to +125	°C
Shock	1 metre on to concrete (Max 20,000g)	
Materials	Case - Anodised aluminium 6082 T6 Module - Thermoplastic Cable grand - Nickel plated brass	
Max torque screw setting (M4 with washer)	1.8	Nm

**Input voltage de-rating graph**



**Notes**

1. Incorrect wiring may cause internal damage.
2. When cable exit facing down as shown, instrument is mid travel.
3. Do not operate sensor between 5.5V and 8V.
4. Non-linearity is calculated from least squares best fit method over the linear range.
5. General dimension tolerance is ±0.25mm.

**Europe**

Active Sensors Ltd,  
Unit 12, Wilverley Road,  
Christchurch, Dorset,  
BH23 3RU, UK

**North America**

Active Sensors Inc,  
8520 Allison Pointe Blvd, Suite 220,  
Indianapolis,  
IN 46250, USA