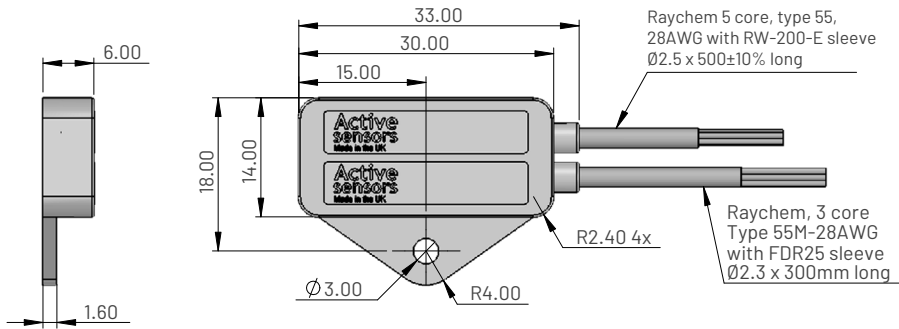


SCU3401 Series - LVDT Signal Conditioning Unit (SCU)

Miniature housing. Analogue voltage output.

Dimensions



Ordering information

SCU3401-XV

Output

R = Output retracting
E = Output extending
(See output graph)

Please advise the LVDT specification for pairing with the SCU

Electrical and mechanical specification

Parameters	Values		Units
Supply voltage (+Vs)	5.0±5% regulated	8 to 30 unregulated	Vdc
Line regulation	Ratiometric with supply	<0.01% FS/V	%
Supply current	<60		mA
Output (Vout)	0.5 - 4.5		Vdc
Linearity	<0.20		%
Output ripple	<10		mV
Output load	>2		K Ohms
LVDT excitation voltage	3		Vrms
LVDT excitation frequency	5		KHz
Temperature performance	<50	<110	ppm/°C
Operating temperature	-40 to +125		°C
Environmental	IP67		
Weight (approx.)	12		grams

Electrical connections (see note 1)

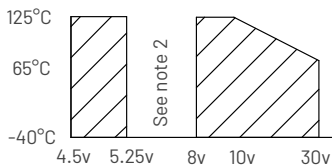
Wire Colour	LVDT Connection
Blue	Secondary A
Yellow	Secondary B
Green	Secondary Centre
Primary -	Black
Primary +	Red
Wire Colour	System Connection
White	Analogue signal Vout
Red	Supply +Vs
Black	Supply 0V

Notes

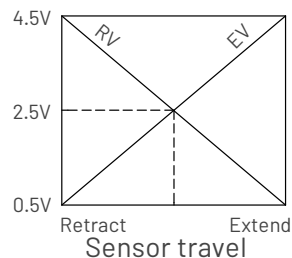
1. Incorrect wiring may cause internal damage.
2. Do not operate between 5.25V and 8V.
3. Non-linearity is calculated from least squares best fit method.
4. LVDT wire colours listed match Active Sensors standard LVDTs.
5. When ordering SCU please state which LVDT the SCU will be paired with.
6. General dimension tolerance is ±0.25.

Operational temperature

Input volts vs temp



Typical output voltage



Europe
Active Sensors Ltd,
Unit 12, Wilverley Road,
Christchurch, Dorset,
BH23 3RU, UK

North America
Active Sensors Inc,
8520 Allison Pointe Blvd, Suite 220,
Indianapolis,
IN 46250, USA